

Minimal on the outside, beautiful on the inside

ASSA ABLOY
Opening Solutions

Cam-Motion® Floor Springs, for easy,
invisible door opening and closing

Experience a safer
and more open world



Door safety that works with your design, not against it

Floor Springs: a hidden helping hand. There when you need them, out of sight when you don't — for heavy doors, glass doors, two-way doors or any other door

You only get once chance to make a first impression. Good architecture creates spaces which inspire or calm. The first look your visitors get can set the tone, promoting a feeling of security and a desire to explore.

Balancing building design and accessibility can be a challenge with large, heavy, two-way doors. Our Floor Springs ensure safety and accessibility are built into every door - be they one-way or two-way doors.

ASSA ABLOY Floor Springs achieve this with clean aesthetic simplicity, without cluttering entrances with unnecessary door hardware. In addition, the Cam-Motion® technology offers superior door opening and closing characteristics maximising comfort for all users



1 Out of sight,

Even though you can't see Cam-Motion® powering an ASSA ABLOY Floor Spring, the technology is always at work and keeping people moving.



2 Fits all doors

Even heavy and large doors are easily controlled by floor springs. No matter the material; glass or wood, for two-way or one-way opening doors.



3 Minimalist solution

Only the cover plate is on display, floor springs place the spotlight on your design. With no hinges or closing hardware in sight.



4 Accessibility & regulations

ASSA ABLOY Floor Springs ensure compliance, creating an environment that is safe, secure and open to all.

The real beauty is what you can't see

Invisible door opening and closing technology, so your building makes a memorable impression

Floor Springs deliver superior opening and closing performance without impacting the clean design and aesthetics of the door. Doors look clean and uncluttered, and enable everyone to move around in safety, security and comfort



ASSA ABLOY Floor Springs maybe out of sight keeping true to the architect's vision, but the Cam-Motion® technology is working hard to maximise efficiency and comfort to the users, particularly the young, elderly, and less-abled.

At double door main entrances and single door interior applications, Cam-Motion® technology requires minimum effort to pull or push the door open. Independent door closing and latch speeds are quick and easy to set without removing the door. The thermo-resistant design ensures safe and consistent door speeds throughout the seasons, ensuring doors never slam and younger or less-abled users are kept safe.

Easily installed to almost any door in any material, ASSA ABLOY Floor Springs are hard to spot and tough enough to cope with the highest traffic doors in your building. Operating hinge free with the door mounted directly on the Floor Spring below, the clean, minimal design is further enhanced — even on glass doors which cannot be drilled to fit regular door closers. Double doors or single doors, big or small, two-way or one-way opening, there is an ASSA ABLOY Floor Spring to deliver premium performance with a minimalist design. Because everyone deserves to enter in style.

The difference is on the inside

ASSA ABLOY Floor Springs provide comfortable, concealed, double or single action opening to any door, light or heavy



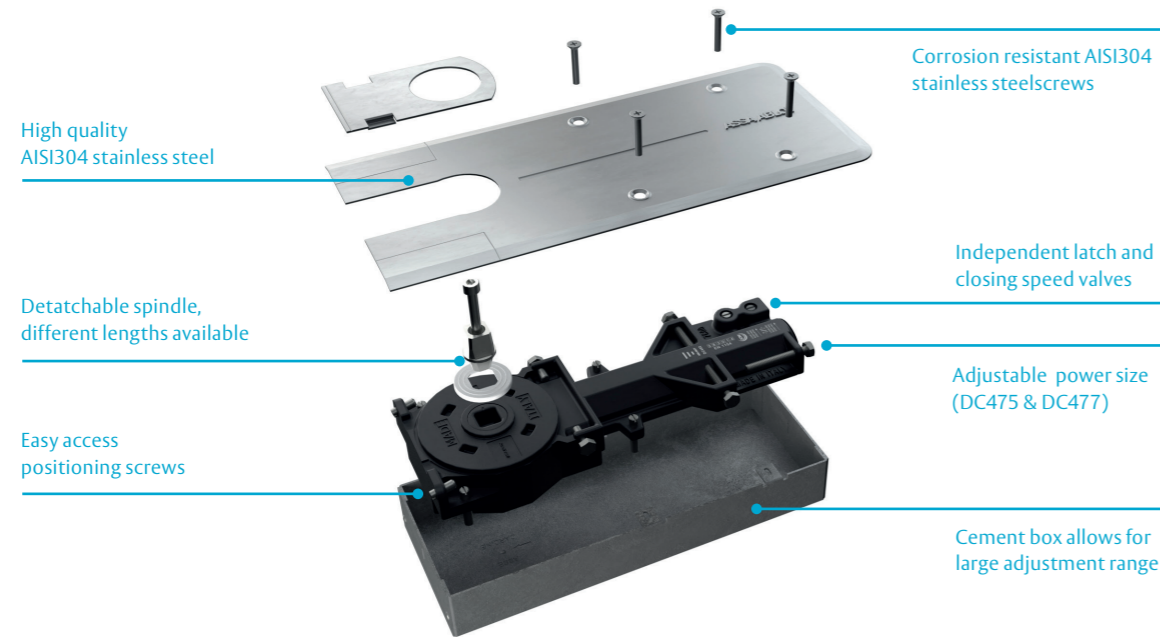
Any door, any weight

- **No door too big or too heavy:** designed to handle up to 300kg doors with double action functionality – you can push or pull the door
- **Perfect partner for any door material – even glass:** accessories enable compatibility with metal, wooden, or even frameless glass doors



Elegant, clean design

- **Minimalist build for a strong impression:** no hinges or excess hardware on display – total focus on your doors and building design
- **Perfectly align floor spring with door:** cover plate is mounted directly to the floor spring body



An ASSA ABLOY Floor Spring does its hard work completely out of sight, so your door remains the main attraction. All building users will see is a high quality stainless steel cover plate



True fit and forget solution

- **Premium performance:** individually tailor latch and closing speed to specific applications, thermo-resistant valves ensure once speeds set, they will not change
- **High quality finish ensures long life:** premium AC304 stainless steel construction and corrosion resistance at every level provides double the industry standard durability



Safety and security, without barriers

- **Keep your building open to all:** Cam-Motion® technology offers enhanced ergonomic opening comfort, with reliable closing force keeping users safe and your building secure
- **Don't trade-off design against safety and security:** ASSA ABLOY Floor Springs combine aesthetics and functionality, entire range is fire door compliant



How ASSA ABLOY Floor Springs make the difference



... for OEMs

- **Adjustable power sizes available:** simplify specification, 99% of applications are covered by two products
- **One consistent design:** implement a standardized design and finish across all door hardware, with consistent product design
- **Accessibility compliance:** Cam technology combines smooth opening with strong closing force – effortless access and exit for all



... for installers

- **Effortless fine tuning:** greater and more flexible adjustments possible – with adjusting positioning screws
- **Time-saving, quick adjustments:** large adjustment range within cement box to fix any alignment problems without taking down the door
- **One box, one product, every door:** minimize equipment with adaptable solutions, and standardized parts for fixed size models



... for architects and building planners

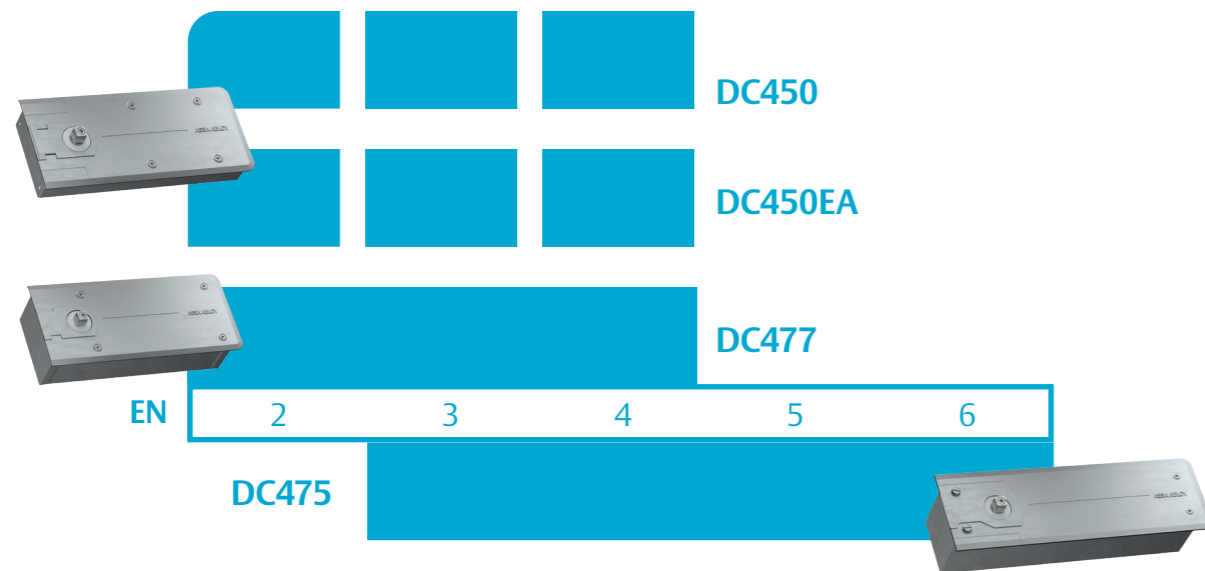
- **No hinges, no mess, just your design:** pivot system removes need for hinges and other unsightly hardware – ultimate minimal design
- **Save time planning door hardware:** with just two complementary products and universal accessories, you can specify a whole building
- **Discreet and uniform footprint:** aesthetic consistency across the range, with a choice of contemporary colors



... for wholesalers and distributors

- **Preserve valuable stockroom space:** less space required with adaptable solutions, standardized parts for fixed size models and a detachable spindle
- **A solution for any door:** the range will secure around 99% of real-world door sizes EN 2–6 (700mm–1,400mm width) and up to 300kg
- **Future-proofed doors:** adjustable power sizes and independent valves mean floor springs can be tailored to specific applications

With just two models you can equip an entire building



Designed to keep the focus on your doors

A cover plate in high quality, corrosion resistant stainless steel conceals the mechanics of your Floor Springs below-ground.

The entire range of ASSA ABLOY Floor Springs offers durable, flexible opening and closing performance

What do I offer?	DC475	DC477	DC450	DC450
EN	3 - 6 850 - 1400mm	2 - 4 700 - 1100mm	2,3,4; fixed sizes not adjustable	2,3,4; fixed sizes not adjustable
Distachable spindle	✓	✓	✓	✓
Opening angle	Up to <180°, both sides & single action	Up to <170° both sides	Up to 170° both sides	Up to <130° both sides
Weight	Up to >300kg	Up to 170kg	Up to <120kg	Up to 120kg
Compatible with all door materials, both external and internal doors	✓	✓	✓	✓
Mechanical backcheck	✓	✓	✓	
Certified durability cycles	1,000,000	1,000,000	1,000,000	1,000,000
Recommended for thin slabs with 40mm cement box			✓	✓
CE certified for fire doors	all fire doors	all fire doors	EN1154	all fire doors
105° and 90° hold open versions available (no fire doors)	✓	✓	✓	✓

High quality finishes to match door design

- Consistent finish across floor spring cover plate and entire range
- Available in several finishes to effortlessly compliment your doors

Accessories compliment design

- Range of accessories enable ASSA ABLOY floor springs to be used with any door material
- Available in a selection of finishes to blend seamlessly with your doors



The ASSA ABLOY Group is the global leader in access solutions. Every day, we help billions of people experience a more open world.

ASSA ABLOY Opening Solutions leads the development within door openings and products for access solutions in homes, businesses and institutions. Our offering includes doors, door and window hardware, locks, access control and service.